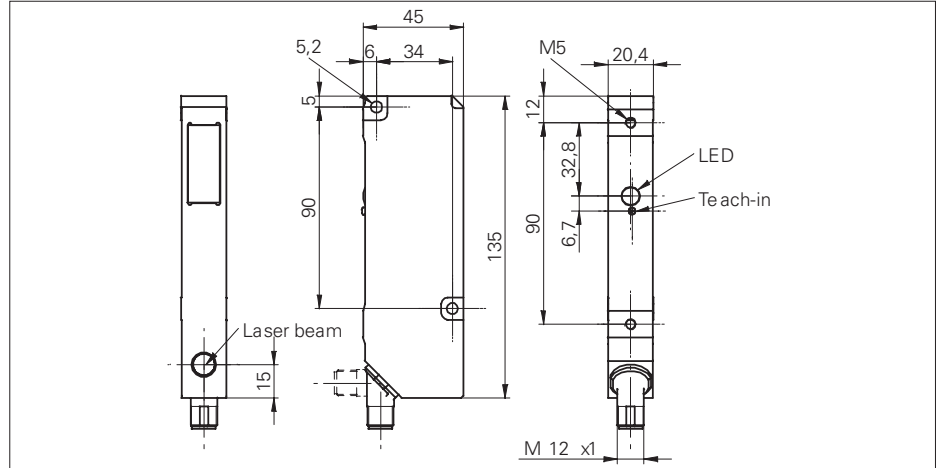


# Laser distance sensor

## OADM 21I6481/S14F

Art.-Code: 145339

- Very long measuring range
- High resolution
- Teachable measuring range
- Current and voltage output



technical data	
measuring range MR	200...1000 mm
min. teach-in range	10 mm
resolution (matt white ceramic)	0,02...0,5 mm
linearity error (matt white ceramic)	±0,08...2,0 mm
response time	< 10 ms
sensing element	photoelectric array
analog output	4 - 20 mA and 0 - 10 VDC
alarm output	PNP
max. switching current	100 mA
power indicator	green LED
alarm indicator / soiled lens indicator	red LED / flashing red LED
voltage supply range	12 - 28 VDC
max. supply current	< 120 mA
light source	pulsed red laser diode
laser class	2
wave length	675 nm
reverse polarity protection (voltage supply only)	yes
short circuit protection	yes
housing material	aluminum
protection class	IP 67
temperature range	0...+50 °C
<b>laser beam data</b>	
laser beam diameter	2 mm
<b>EMC protection measures</b>	
use shielded cable for example ESG 34FP200B	
<b>typical resolution</b>	

<b>connection diagram</b>	
<b>pin assignment</b>	
<b>typical linearity error</b>	

**CAUTION**  
**LASER RADIATION**  
 DO NOT STARE INTO BEAM  
**LASERDIODE**  
 Wavelength: 630 - 680 nm  
 Max. Output: < 1 mW  
**Class 2 LASER Product**