

gF, gl-gG, aM

CYLINDRICAL FUSE-LINKS



DOMESTIC AND INDUSTRIAL CYLINDRICAL FUSE-LINKS

Ferraz Shawmut gF, gl-gG and aM fuse-links cover a wide range of physical sizes and ampere ratings for 250, 400, 500, and 690 volts AC. gF fuse-links are for domestic use. gl-gG and aM fuse-links are for industrial applications. Most ratings are available with an optional indicator. All industrial fuse-links have the option of a built-in striker. All cylindrical fuse-links have ceramic bodies and silver-plated ferrules.

gF

FULL RANGE PROTECTION

- 7 physical sizes from 6.3 x 23mm to 10.3 x 38 mm
- 250 and 400 Volt ratings - 0.5A through 32A
- Most ratings available with indicator
- Meet IEC, NFC, UNE and British standards

gl-gG

FULL RANGE PROTECTION

- 4 physical sizes from 8 x 31mm to 22 x 58 mm
- 400, 500 and 690 Volt ratings - 0.5A through 125A
- Most ratings available with indicator
- Meet IEC, NFC and UNE standards
- Approved by Lloyds Register of Shipping and Bureau Veritas

gl-gG

FULL RANGE PROTECTION

- Fuse-links with Striker**
- 2 sizes - 14 x 51mm and 22 x 58mm
 - 400, 500 and 690 Volt ratings - 4A through 125A
 - All ratings include striker
 - Meet IEC, NFC and UNE standards
 - Approved by Lloyds Register of Shipping and Bureau Veritas

aM

SHORT CIRCUIT PROTECTION

- 4 physical sizes from 8 x 31mm to 22 x 58mm
- 400, 500 and 690 Volt ratings - 16A through 125A
- Most ratings available with indicator
- Meet IEC, NFC and UNE standards
- Approved by Lloyds Register of Shipping and Bureau Veritas

aM

SHORT CIRCUIT PROTECTION

- Fuse-links with Striker**
- 2 sizes - 14 x 51mm and 22 x 58mm
 - 400, 500 and 690 Volt ratings - 2A through 125A
 - All ratings include striker
 - Meet IEC, NFC and UNE standards
 - Approved by Lloyds Register of Shipping and Bureau Veritas

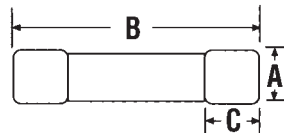
Catalog Numbers, Ratings – gF (Optional Blown-Fuse Indicator)



SIZE (mm x mm)	RATED In CURRENT (A)	RATED VOLTAGE	CATALOG NUMBER		INTERRUPTING RATING (A)	STANDARD PACK/CTN.
			w/o Indicator	w/Indicator		
6.3 x 23	2	250V	10013-G	-	6,000	10/100
	4		10019-G	-		
	6		10023-G	-		
	10		10031-G	-		
8.5 X 23	2	250V	10213-G	12213-G	6,000	10/100
	4		10219-G	12219-G		
	6		10223-G	12223-G		
	10		10231-G	12231-G		
	16		10235-G	12235-G		
10.3 X 25.8	6	250V	10423-G	12423-G	6,000	10/100
	10		10431-G	12431-G		
	16		10435-G	12435-G		
8.5 x 31.5	0.5	400V	10609-G	12609-G	20,000	10/100
	1		10611-G	12611-G		
	2		10613-G	12613-G		
	4		10619-G	12619-G		
	6		10623-G	12623-G		
	8		10627-G	12627-G		
	10		10631-G	12631-G		
	12		10633-G	12633-G		
	16		10635-G	12635-G		
	20		10637-G	12637-G		
	25		10639-G	12639-G		
10.3 x 31.5	16	400V	10835-G	12835-G	20,000	10/100
	20		10837-G	12837-G		
	25		10839-G	12839-G		
8.5 x 36	2	400V	11013-G	13013-G	20,000	10/100
	4		11019-G	13019-G		
	6		11023-G	13023-G		
	10		11031-G	13031-G		
	16		11035-G	13035-G		
	20		11037-G	13037-G		
	25		11039-G	13039-G		
	32		11043-G	13043-G		
10.3 x 38	25	400V	11239-G	13239-G	20,000	10/100
	32		11243-G	13243-G		

F

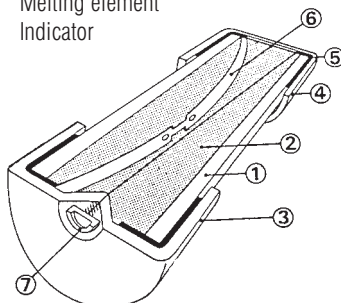
- 1 Ceramic body
- 2 Sand
- 3 Indicator contact
- 4 Lower contact
- 5 Contact ring
- 6 Melting element
- 7 Indicator



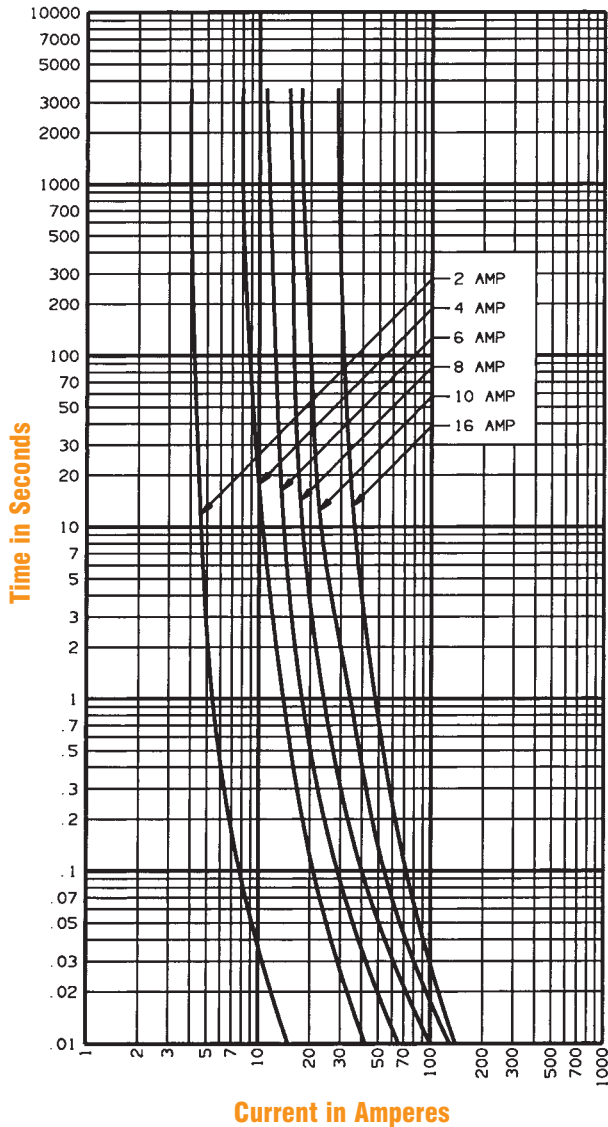
Dimensions

FUSE SIZE (mm x mm)	A	B	C
6.3 X 23	6.3	23	5
8.5 X 23	8.5	23	5
10.3 x 25.8	10.3	25.8	6.3
8.5 x 31.5	8.5	31.5	6.3
10.3 x 31.5	10.3	31.5	10
8.5 x 36	8.5	36	6.3
10.3 x 38	10.3	38	10

Blown-Fuse Indicator



Melting Time - Current Data – 2-16 Amperes, 250V



Melting Time - Current Data – 2-32 Amperes, 400V

