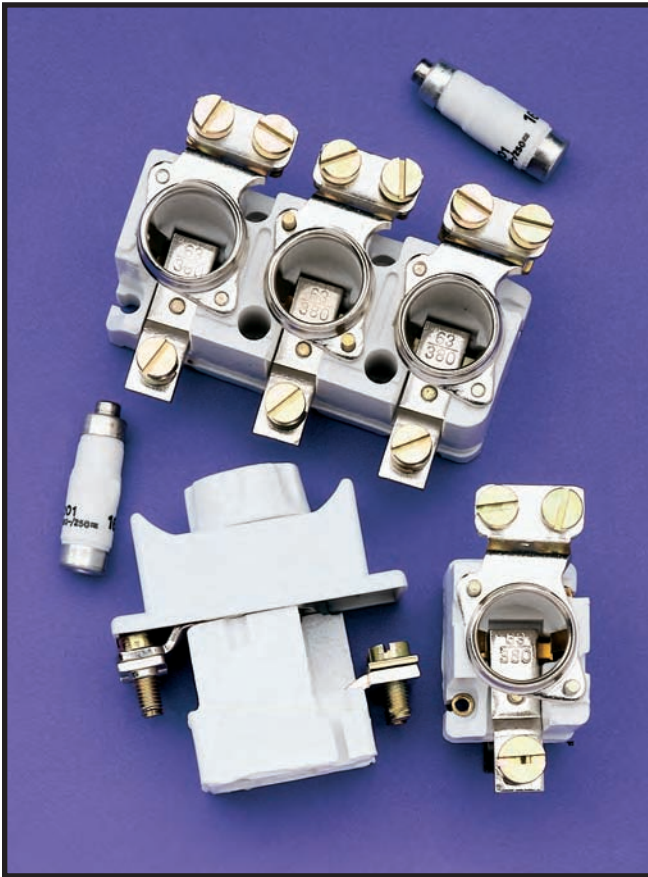


# DO Type (NEOZED) FUSE-LINKS & SCREW CAP HOLDERS



## 400 VOLT DO TYPE NEOZED FUSE-LINKS, SCREW CAPS AND FUSE BASES

Ferraz Shawmut DO fuse-links, also called Neozed type, are 400 Volts AC rated with 100kA interrupting rating. They have 3 physical sizes, DO1, DO2, and DO3 and fit into special screw caps. All fuse-links have blown-fuse indicators which are visible through the screw cap when mounted. Screw caps fit onto single and three-pole bases which are screw or DIN rail mounted. All accessories such as covers and gauge rings are described.

Ferraz Shawmut is also comprised of Lindner GmbH, a major supplier of DO Type Neozed fuses. These fuses are now being sold to markets worldwide through the Ferraz Shawmut distribution network. For Lindner information please contact your local

### Ratings

- **AC:** 400 Volts AC, 100kA interrupting rating

### Approvals

- Meet IEC, VDE and UNE Standards:  
IEC 269-3, 3A  
VDE 0636  
UNE 21103

F

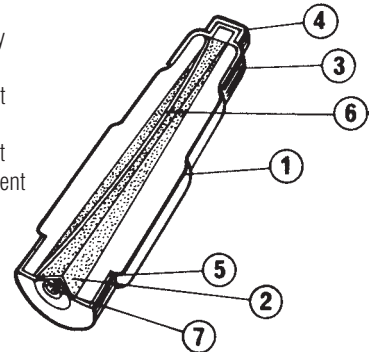


26035-G



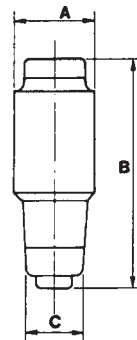
26055-G

- 1 Ceramic body
- 2 Sand
- 3 Upper contact
- 4 Contact top
- 5 Lower contact
- 6 Melting element
- 7 Indicator



## DO Fuse-links, 400 VAC – Catalog Numbers, Ratings

SIZE	RATED CURRENT	CATALOG NUMBER	GAUGE COLOR	CAP THREAD	STANDARD PACK/CTN.
DO1	2	26013-G	PINK	E 14	10/50
	4	26019-G	BROWN		
	6	26023-G	GREEN		
	10	26031-G	RED		
	16	26035-G	GRAY		
DO2	20	26037-G	BLUE	E 18	5/25
	25	26039-G	YELLOW		
	35	26045-G	BLACK		
	50	26051-G	WHITE		
	63	26055-G	COPPER		
DO3	80	26059-G	SILVER	M30 x 2	10
	100	26063-G	RED		



### Dimensions

	DO1	DO2	DO3
A	11	15	24
B	36	36	43

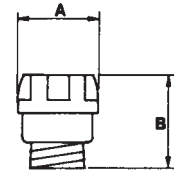
# DO Type (NEOZED) FUSE-LINKS & SCREW CAP HOLDERS

## Screw Caps

SIZE	RATED CURRENT	CATALOG NUMBER	GAUGE COLOR	CAP THREAD	STANDARD PACK
D01	16	26135-G	-	E 14	20
D02	63	26155-G	-	E 14	20
D03	100	26163-G	-	M30	10



26135-G



### Dimensions

	D01	D02	D03
A	31	31	40

## Gauge Rings

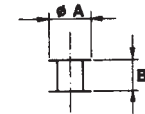
D01	2	26213-G	PINK	E 14	50
	4	26219-G	BROWN		
	6	26223-G	GREEN		
	10	26231-G	RED		
D02	20	26237-G	BLUE	E 18	50
	25	26239-G	YELLOW		
	35	26245-G	BLACK		
	50	26251-G	WHITE		
	D03	80	26259-G		



26213-G



26237-G



### Dimensions

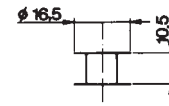
	D01	D02	D03
A	12	16.5	27

## Adapter Rings

D01	2	26313-G	-	-	50
	4	26319-G	-	-	
	6	26323-G	-	-	
	10	26331-G	-	-	



26331-G

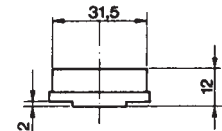


## Protecting Rings

D01-D02	-	26340-G	-	-	50
---------	---	---------	---	---	----



26340-G

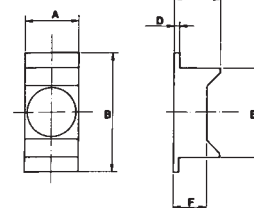


## Insulating Covers – For DO-Fuse Bases

SIZE	POLES	CATALOG NUMBER	STANDARD PACK
D01-D02	1	26450-G	50
D01-D02	3	26451-G	10
D03	1	26452-G	20

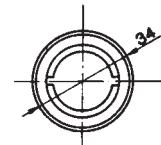


26450-G



### Dimensions

	D01-2 unipolar	D01-2 tripolar	D03 unipolar
A	27	81	45
B	60	60	60
C	23	23	-
D	3	3	5
E	45.5	45.5	45.5
F	18	18	18



## Adapter Spring – For Screw Cap

D02	-	26550-G	25
D03	-	26551-G	25



26550-G

## Insulated Gauge Ring Installation Tool

-	-	26600-G	1
---	---	---------	---



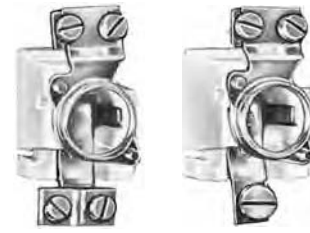
26600-G

# DO Type (NEOZED) FUSE-LINKS & SCREW CAP HOLDERS

## Single Pole Fuse Bases - Screw and Rail Mount

MOUNTING METHOD	SIZE	RATED In CURRENT (A)	MAX. WIRE SIZE (mm <sup>2</sup> )	CATALOG NUMBER	CONNECTIONS*		STD. PACK
					IN	OUT	
SCREW	D01	16	4	26802-G	1	1	20
	D02	63	25	26804-G	2	2	20
	D02	63	25	26806-G	3	2	20
	D03	100	50	26810-G	3	2	10
DIN RAIL	D01	16	4	26912-G	1	1	20
	D02	63	25	26914-G	2	2	20
	D02	63	25	26916-G	3	2	20
	D03	100	50	26920-G	3	2	10

\* Connection types

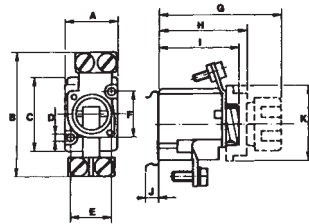


26804-G

26916-G

### Dimensions

	D01	D02	D03
A	26	26.5	44
B	55	60	86
C	36	36	50
D	3	3	4.5
E	20	20	32
F	22	22	32
G	64	64	74
H	45	45	53
I	39	39.5	44
J	8	8	7.5
K	34	34	60



## Single Pole Fuse Bases - For Assembly on Copper Bus Bars

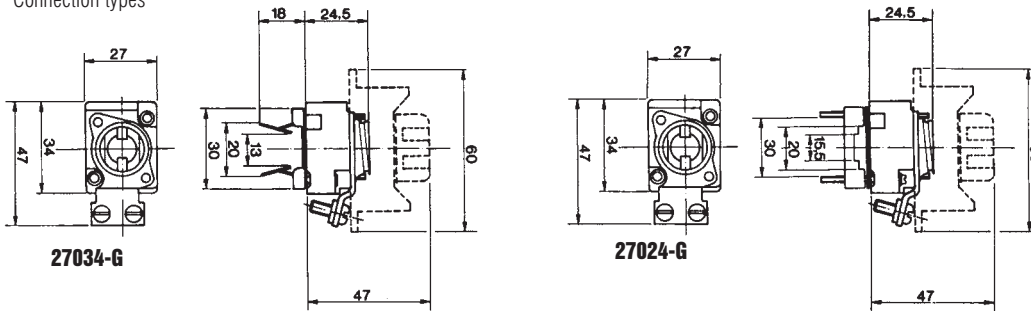
MOUNTING METHOD	SIZE	RATED In CURRENT (A)	MAXIMUM WIRE SIZE	CATALOG NUMBER	CONNECTIONS*		STD. PACK
					IN	OUT	
BOLTED	D02	63	15mm x 3mm 20mm x 5mm	27024-G	-	2	20
SNAP ON	D02	63	15mm x 5mm	27034-G	-	2	20

\* Connection types

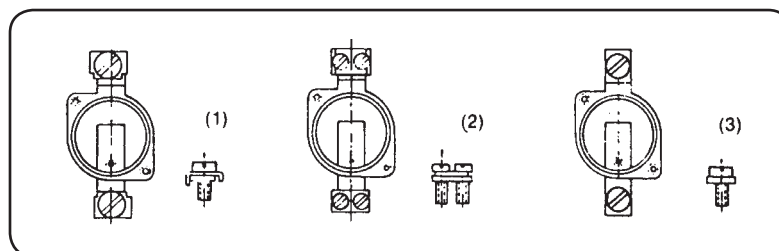


27024-G

27034-G



\* Connection types



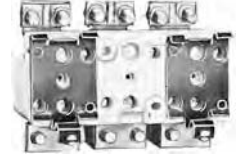
# DO Type (NEOZED) FUSE-LINKS & SCREW CAP HOLDERS

## Three Pole Fuse Bases - Screw and Rail Mount

MOUNTING METHOD	SIZE	RATED In CURRENT (A)	MAX. WIRE SIZE (mm <sup>2</sup> )	CATALOG NUMBER	CONNECTIONS*		STD. PKG.
					IN	OUT	
SCREW	D01	16	4	27102-G	-	1	5
	D02	63	25	27104-G	-	2	
	D02	63	25	27106-G	3	2	
DIN RAIL	D01	16	4	27212-G	-	1	5
	D02	63	25	27214-G	-	2	
	D02	63	25	27216-G	3	2	



27106-G

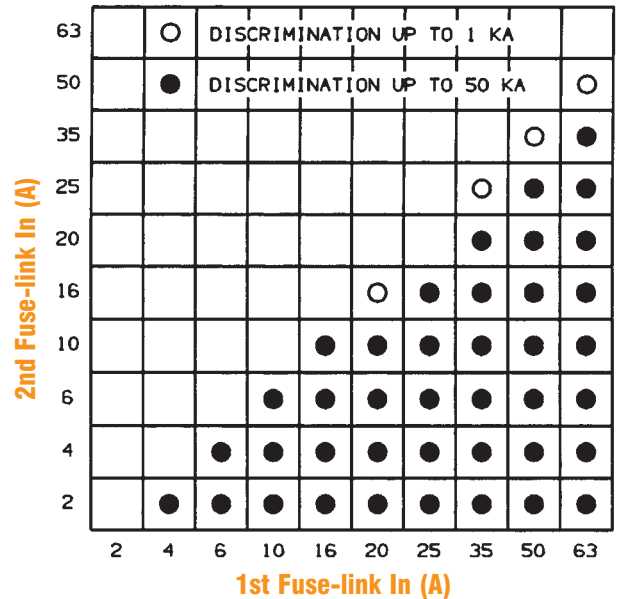
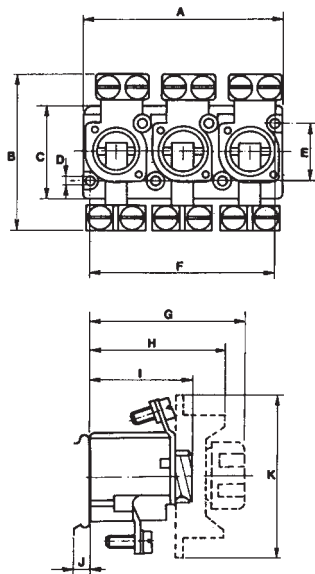


27214-G

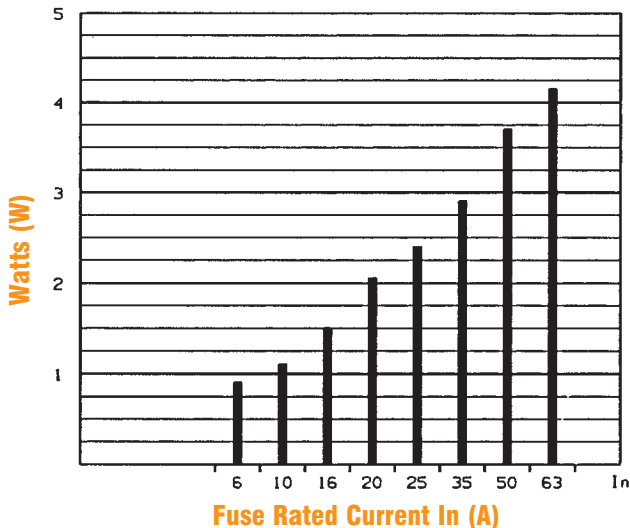
\* Connection types (see previous page)

## Dimensions

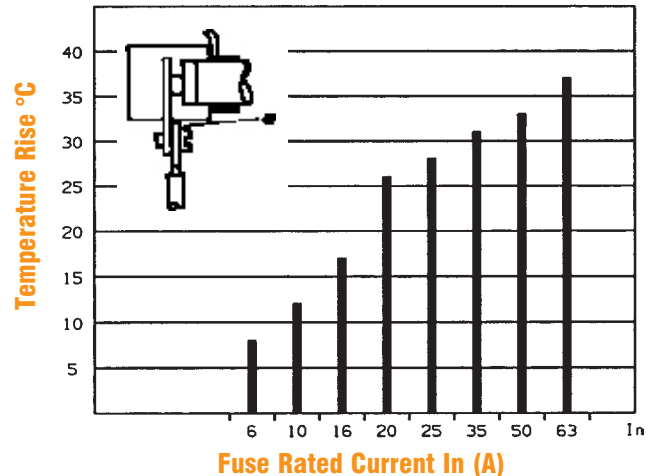
	D01	D02
A	80.5	80.5
B	55	60
C	36	36
D	4	4
E	22	22
F	74	74
G	64	64
H	56	56
I	38	39.5
J	8	8
K	60	60



**Watts Loss**



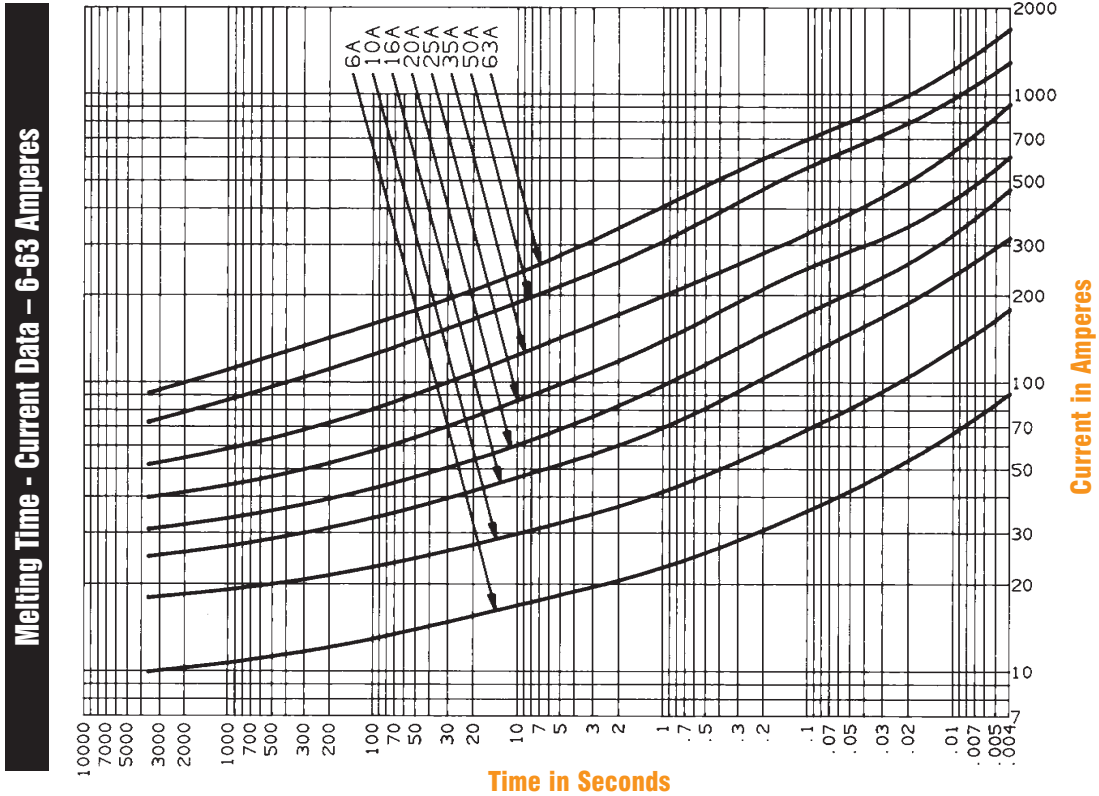
**Temperature Rise**



Watts loss and temperature rise measured in point (\*). Values obtained in both cases by Ferraz fuses are extremely low.

# DO Type (NEOZED) FUSE-LINKS & SCREW CAP HOLDERS

## DO Fuse-links, 6-63 Amperes



## Peak Let-Through Current Data - 6-63 Amperes

